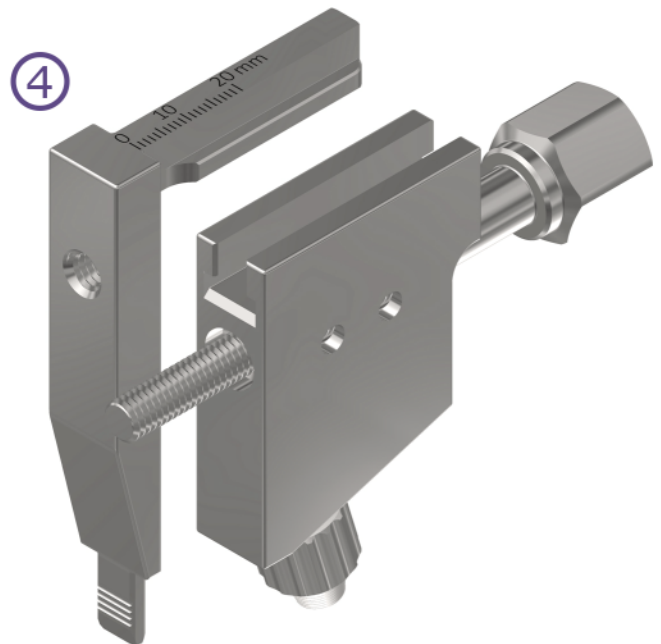
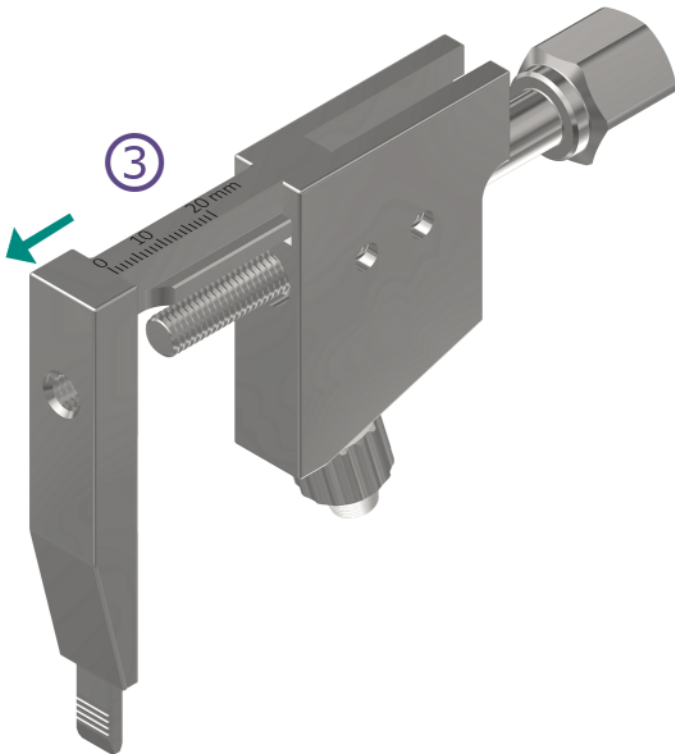
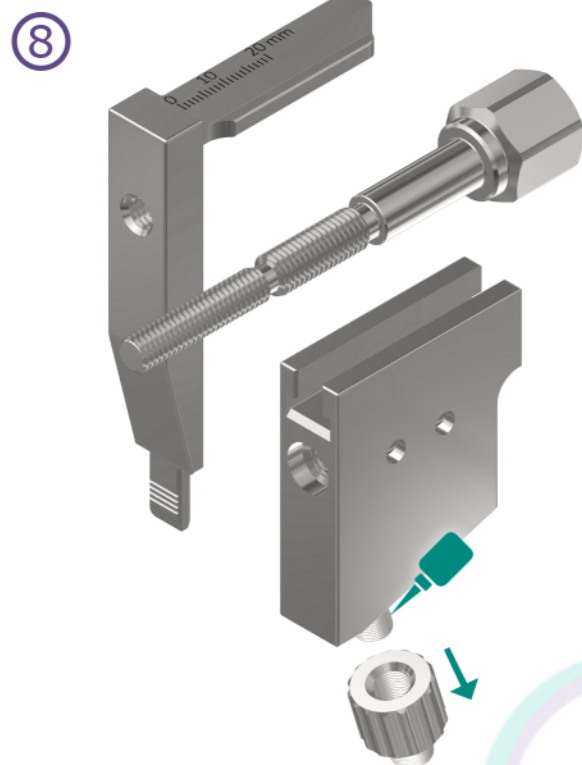
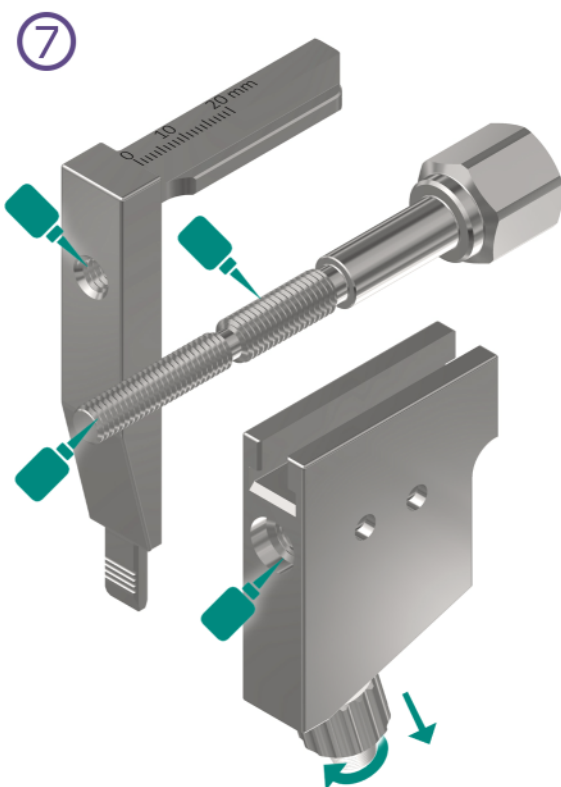
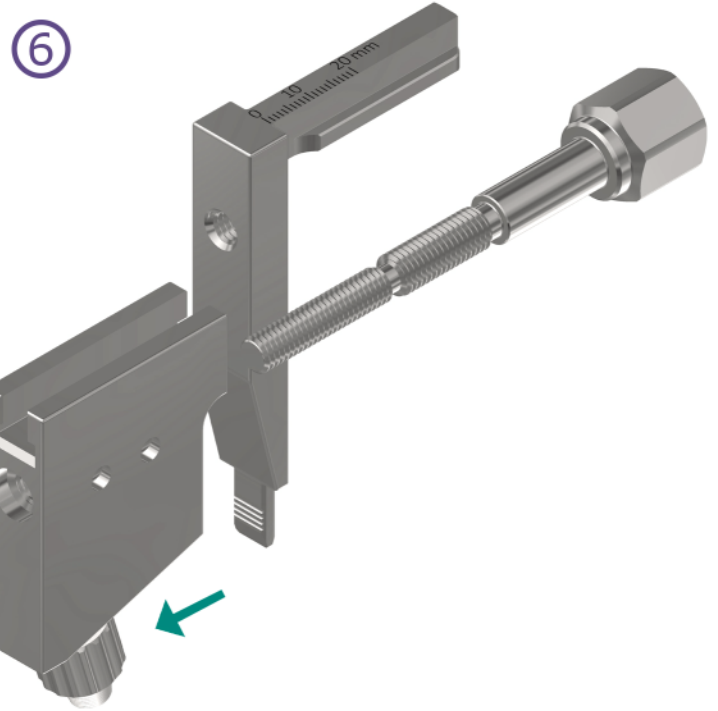
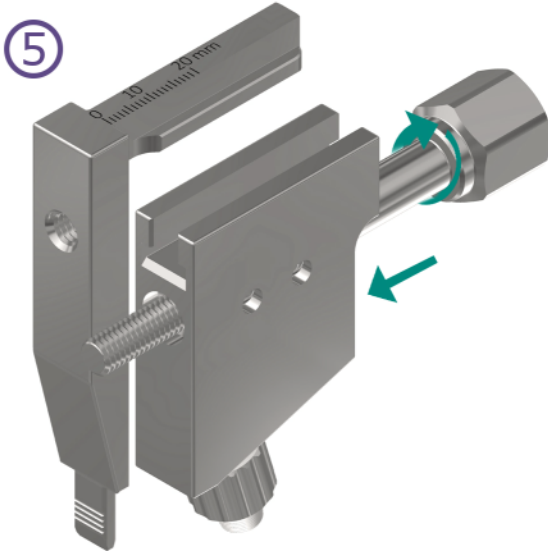
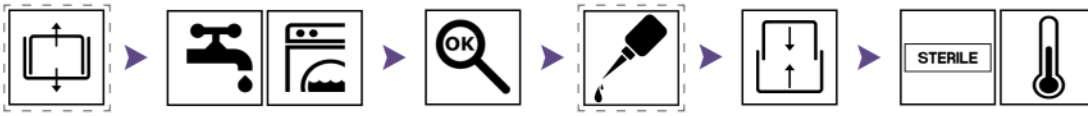
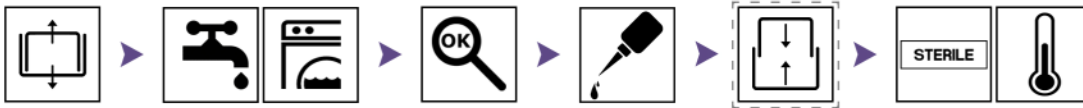


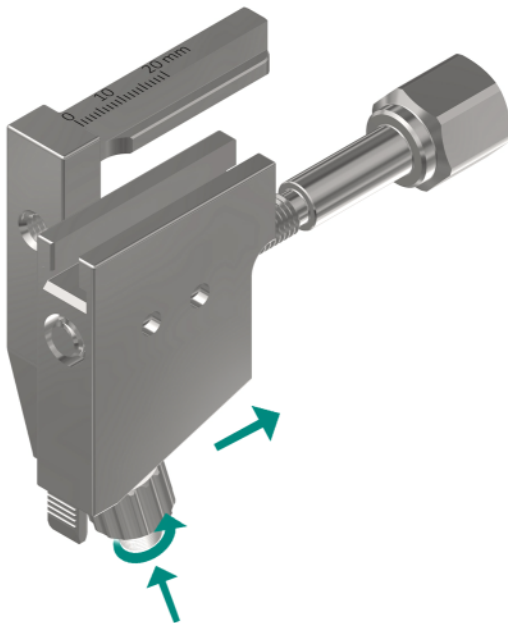
- This component remains static while the other is unscrewed from the main thread (not connected with the thread)



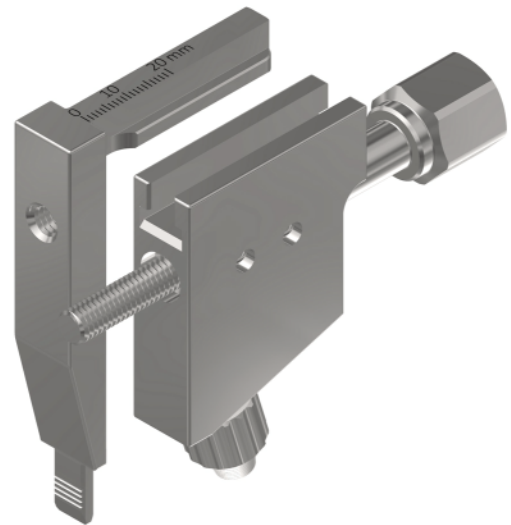




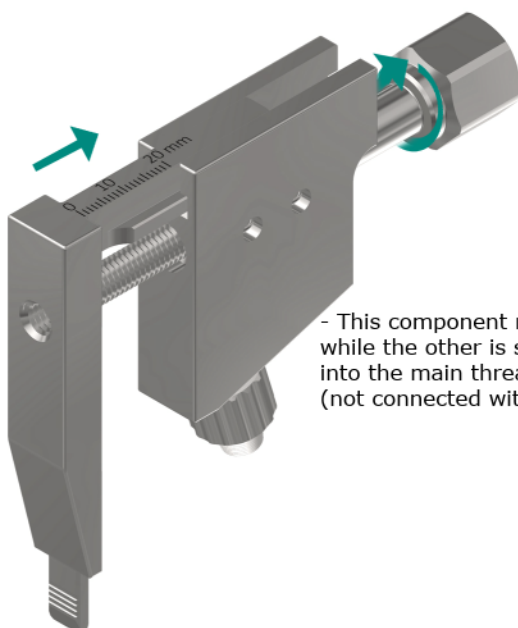
9



10



11



12



- This component remains static while the other is screwed into the main thread (not connected with the thread)